

WARNING - Electrical Requirements

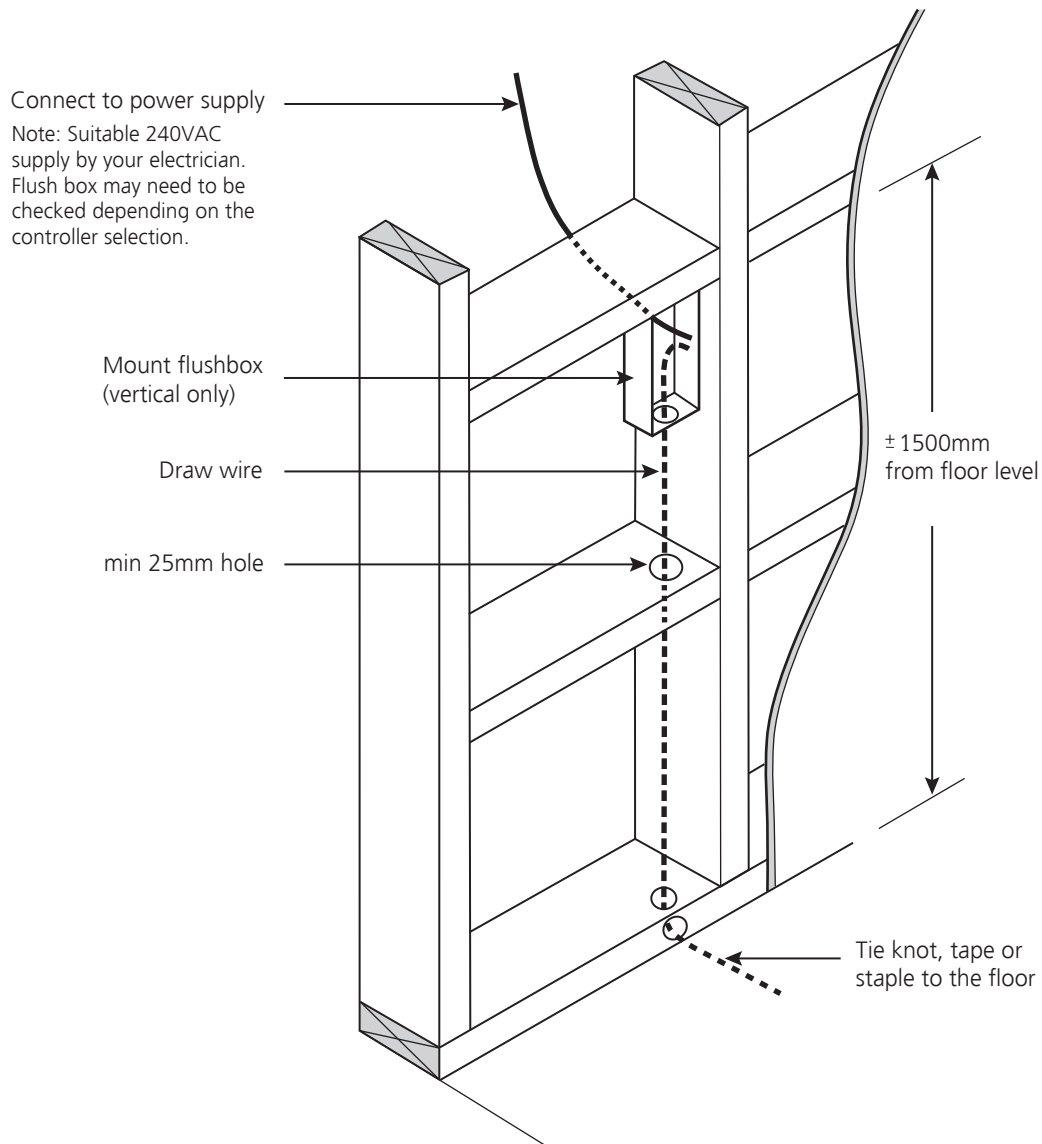
warmup[®]
Est. 1994

Underfloor heating | Tiled shower solutions

Please pass onto your Electrician

Cross section for pre-wire requirements of undertile and undercarpet heating systems

The heating elements must be protected by a RCD with a rated residual operating current not exceeding 30mA



Points to note:

1. All Warmup controllers are designed to fit vertical flush boxes. The flush box should be installed within the room that is to be heated and accessible, typically adjacent to a light switch.
2. Height off the floor for flush boxes can vary with controllers.
3. The use of 2.5mm TPS as a draw wire is preferred. Ensure that it has a clear unobstructed passage from floor to flush box.
4. Thermostats should be 600mm away from the bath edge.
5. For showers with no glass, thermostats should be at a distance of 1.8m from the fixed shower outlet.
6. Kindly contact us on 0800 WARMUP (927 687) for any queries on pre-wire connections.