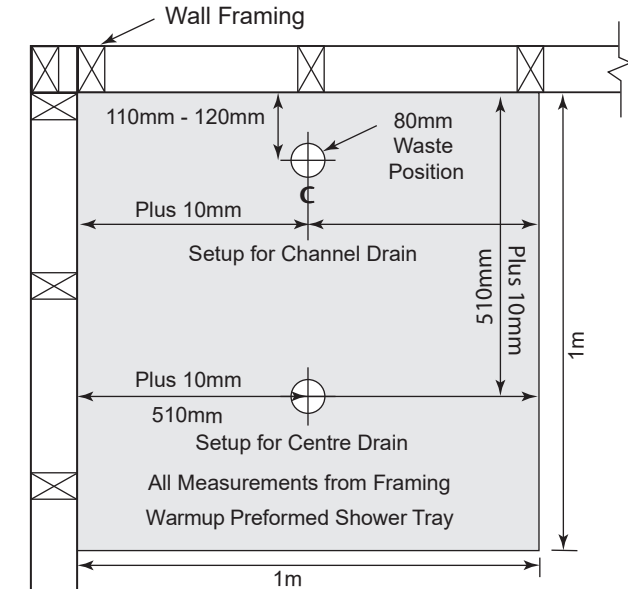


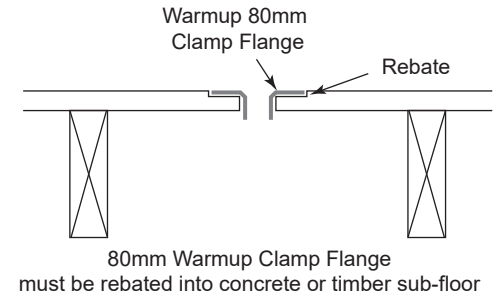
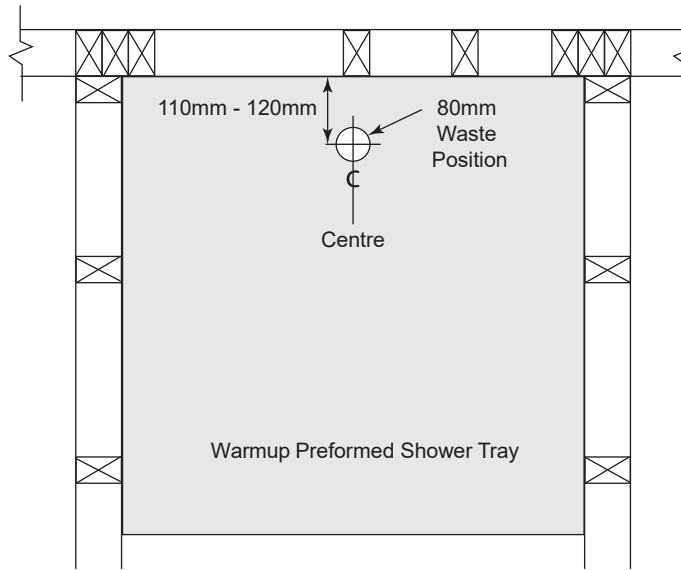
Setup for Gully Traps (All measurements are shown from framing)

Two Wall



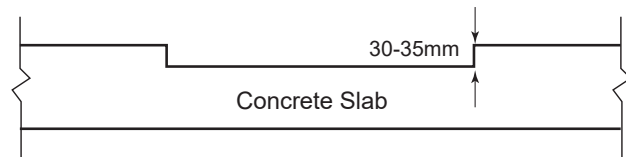
Note: Add 10mm for wall linings and tiles as indicated above.

Three Wall Alcove



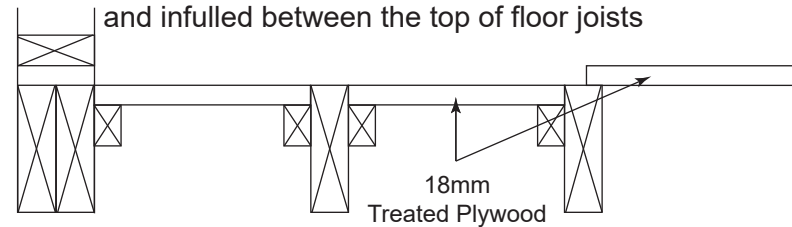
Level Entry Concrete Floor

30mm Rebate the size of Shower Tray



Level Entry on Timber Floors

Floor cut out to size of shower tray and infilled between the top of floor joists



Plumber - please note all gully traps are to be 80mm

1:2



Underfloor heating | Tiled shower solutions

Setup for Level Entry Showers (for Builders & Plumbers)

Date
01/08/23

Detail
D29